

Quantum 2U Rackmount Rail Installation Guide

Introduction	3
Required Tools	3
Step 1: Installing the Chassis Sections onto the 2U Rackmount Chassis	4
Step 2: Installing the Stationary Sections onto the Equipment Rack	5
Step 3: Installing the 2U Rackmount into the Equipment Rack	7

Made in the USA.

Quantum Corporation provides this publication “as is” without warranty of any kind, either express or implied, including but not limited to the implied warranties of merchantability or fitness for a particular purpose. Quantum Corporation may revise this publication from time to time without notice.

COPYRIGHT STATEMENT

© Copyright 2006 by Quantum Corporation. All rights reserved.

Your right to copy this document is limited by copyright law. Making copies or adaptations without prior written authorization of Quantum Corporation is prohibited by law and constitutes a punishable violation of the law.

TRADEMARK STATEMENT

Quantum, DLT, DLTtape, the Quantum logo, and the DLTtape logo are all registered trademarks of Quantum Corporation. SDLT and Super DLTtape are trademarks of Quantum Corporation.

Other trademarks may be mentioned herein which belong to other companies.

Introduction

The Quantum Rack Mount Slide Kit is designed to facilitate the mounting of 2U Rackmount systems in standard EIA-310 equipment racks. These telescoping slide rails provide easy access to the 2U Rackmount by allowing you to unlock and slide it forward.

Installing the slide rails involves the following steps:

- [Step 1: Installing the Chassis Sections onto the 2U Rackmount Chassis](#) on page 4
- [Step 2: Installing the Stationary Sections onto the Equipment Rack](#) on page 5
- [Step 3: Installing the 2U Rackmount into the Equipment Rack](#) on page 7

Warning: For maximum stability, the equipment rack should be securely bolted to the floor per the rack manufacturer's recommendations.

After installing components in the equipment rack, do not pull out more than one component on its slide rails at a time. If the equipment rack is not securely bolted to the floor, the weight of more than one extended component could cause the equipment rack to become unstable, tip over, and cause damage, serious bodily injury, or death.

Required Tools

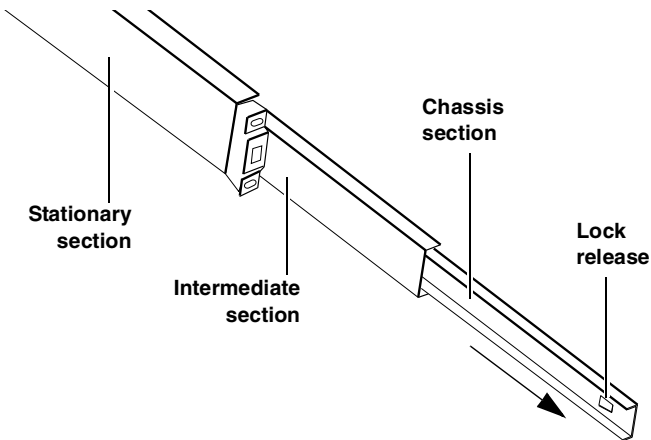
To install the slide rails, you may need the following additional items:

- Available rack space in a suitable equipment rack
- #1 or #2 PHILLIPS® screwdriver

Step 1: Installing the Chassis Sections onto the 2U Rackmount Chassis

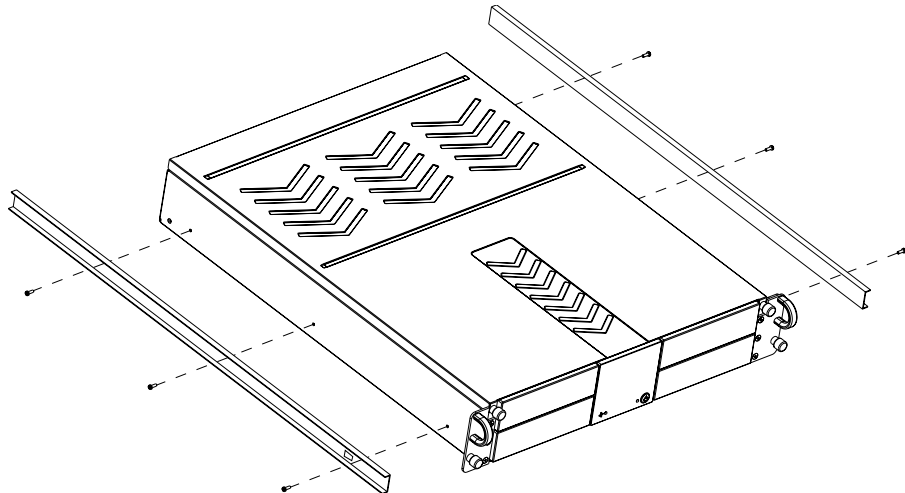
- 1 For each set of rails, pull the chassis section forward until it locks into the intermediate section. Press the green lock release toward the front to release the chassis section, and remove the chassis section. See [figure 1](#).

Figure 1 Removing the Chassis Section



- 2 Install the chassis sections onto the 2U Rackmount chassis using (6) M3 x 4 mm pan-head PHILLIPS screws. See [figure 2](#).

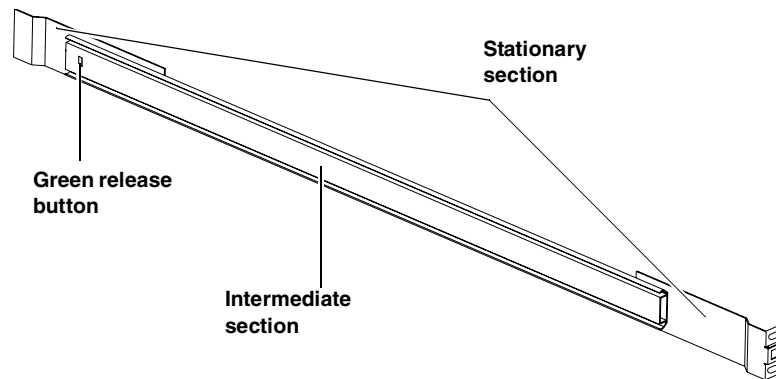
Figure 2 Installing the Chassis Sections Onto the Chassis



Step 2: Installing the Stationary Sections onto the Equipment Rack

- 1 Slide the intermediate sections all the way back into the stationary sections. If the intermediate section locks, push down on the green release button to release. See [figure 3](#).

Figure 3 Sliding the Intermediate Section



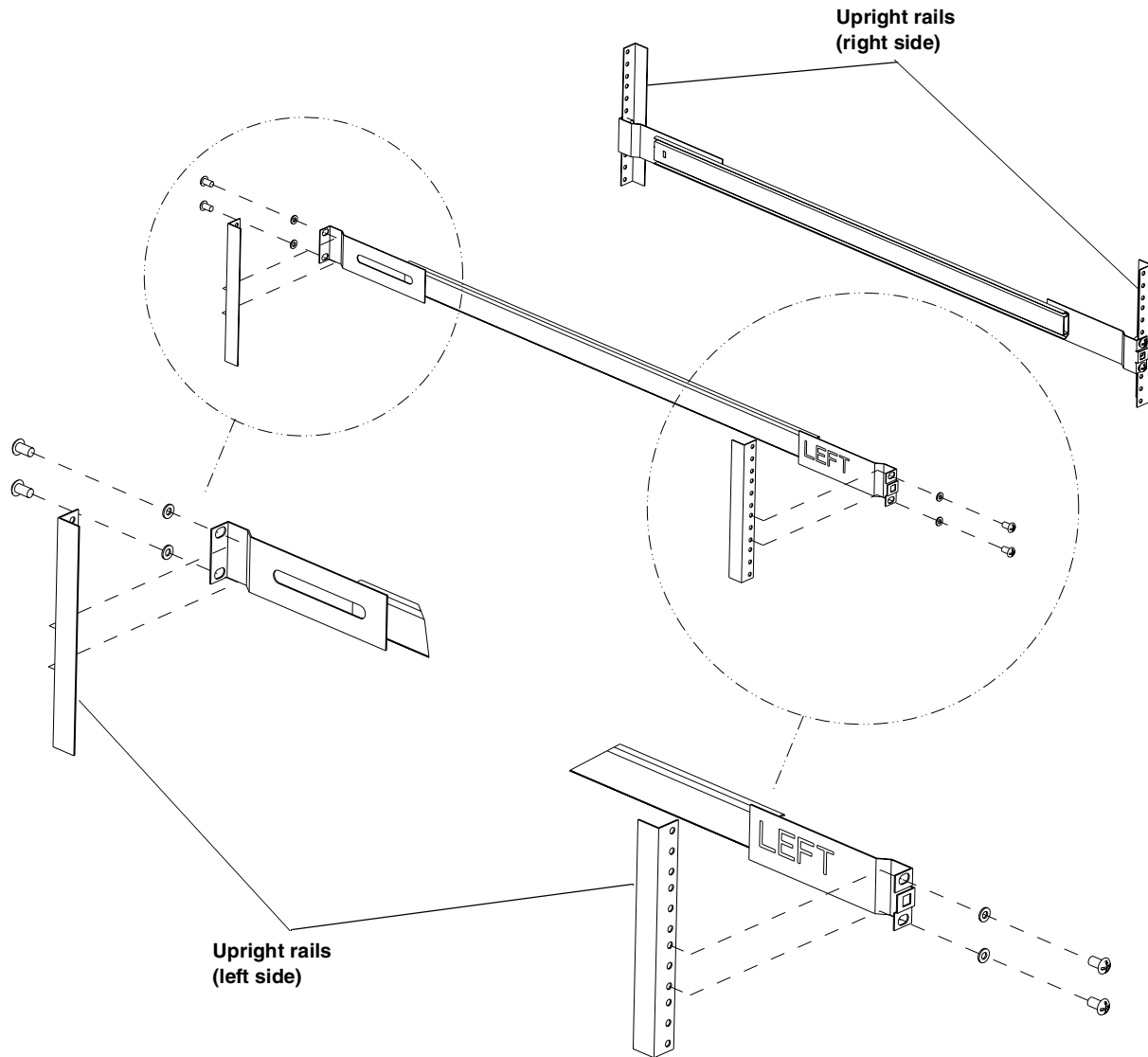
- 2 Loosely install the left and right stationary sections onto the equipment rack using (8) M6 pan-head PHILLIPS screws. The ends of the stationary sections go on outside of the equipment rack's upright rails. See [figure 4](#).

Note: The stationary sections are marked LEFT and RIGHT. Be sure to install the sections on the correct sides.

- 3 Securely tighten the back bracket screws onto the equipment rack's upright rails.

Note: Do not fully tighten the front bracket screws yet – you will do this later.

Figure 4 Mounting the
Stationary Sections Into the
Equipment Rack



Step 3: Installing the 2U Rackmount into the Equipment Rack

- 1 Completely extend the intermediate sections out from the front of the stationary sections until they lock.
- 2 Holding the 2U Rackmount securely, slide the chassis sections through the plastic lead-in guides at the front of the intermediate sections and into the intermediate sections.
- 3 Make sure that the chassis sections are both fully engaged with the ball bearings in the tracks of the intermediate sections.
- 4 Slide the 2U Rackmount all the way into the equipment rack.
- 5 Completely open and close the slides twice, making sure the chassis sections engage in the stationary sections properly and the locks function properly.
- 6 Slide the 2U Rackmount out slightly and securely tighten the front bracket screws onto the equipment rack's upright rails.
- 7 Completely open and close the slides once more to make sure the unit does not bind.
- 8 Slide the 2U Rackmount all the way into the rack and secure it in place by tightening the thumbscrews on each side. See [figure 5](#).

Figure 5 Tightening the
Thumbscrew

