

PowerStor L500 Library Unpacking Instructions

Introduction.....	3
Purpose.....	3
Library Configurations	3

Selecting an Installation Location	4
Floor Space.....	4
Overhead Clearance	5
Surface Strength and Inclination	5
Power and Grounding	5
Environmental Specifications	5

Receiving the Library.....	6
----------------------------	---

Unpacking the Library.....	7
Uncrating the Rack-Mount Kit.....	7
Installing the Rack-Mount Kit.....	7
Uncrating the Library.....	8

Introduction

Purpose

This document explains how to unpack the PowerStor L500 library properly. Once the library is unpacked and moved to the desired installation location, set up the library using the instructions in the *PowerStor L500 Library User's Guide*.

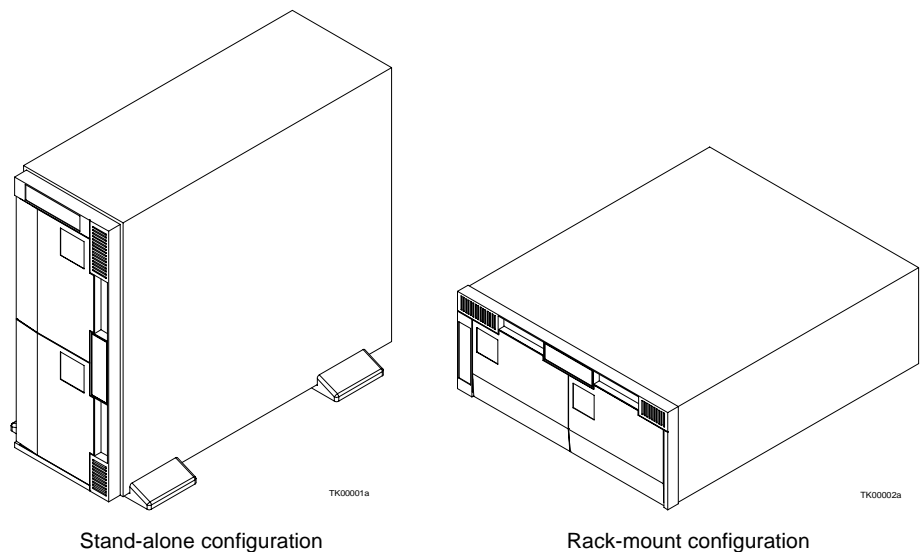
The PowerStor L500 library is shipped in packing materials designed to protect it from damage during transit. By following these instructions, you help ensure that the library will continue to be safeguarded after it arrives at the installation site.

Library Configurations

The PowerStor L500 library is shipped in two configurations:

- Stand-alone (tower) configuration
- Rack-mount configuration

Figure 1 PowerStor L500
Library Configurations



Selecting an Installation Location

When selecting an installation location for the library, consider the following:

- Floor space
- Overhead clearance
- Installation surface strength and inclination
- Power and grounding
- Environmental specifications

Floor Space

Figure 2 shows the floor space requirements for setting up and operating the stand-alone library.

Figure 2 Floor Space Requirements (Stand-Alone Library)

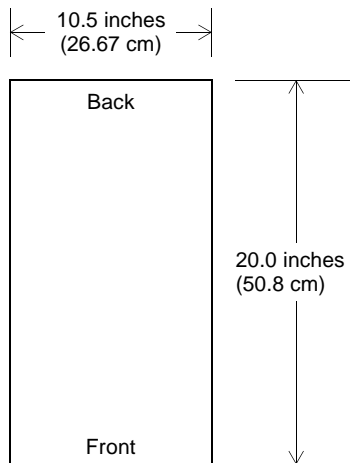
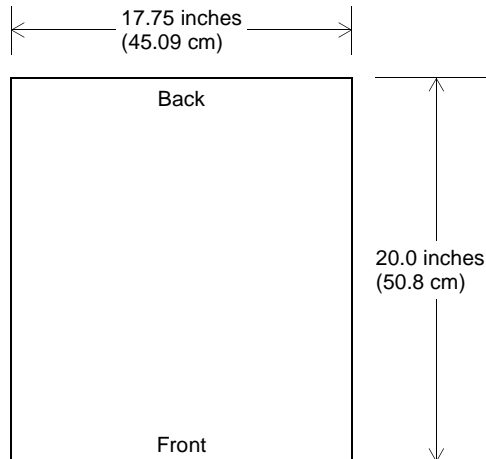


Figure 3 shows the floor space requirements for setting up and operating the rack-mount library.

Figure 3 Floor Space Requirements (Rack-Mount Library)



Overhead Clearance

The height of the stand-alone library is 18.0 inches (45.72 cm). The height of the rack-mount library is 7.0 inches (17.78 cm).

To remove and replace the library enclosure, you will need an overhead clearance slightly greater than the height of the library.

Surface Strength and Inclination

The library and rack must be placed on a clean, level surface. If the library will be placed on a desk or table, make sure it is sturdy enough to support the library's weight (76 lbs/35 kg).

Power and Grounding

The electrical ratings for the library are 100 to 120/200 to 240 VAC, 50/60 Hertz.

Environmental Specifications

The installation location should meet the following environmental specifications.

- Temperature: 50°F to 104°F (10°C to 40°C)
- Relative humidity: 20% to 80% noncondensing
- Humidity gradient: 10%/hour
- Dry bulb temperature: 50°F to 104°F (10°C to 40°C)
- Wet bulb temperature: 77°F (25°C)
- Temperature gradient: 19.8°F/hour (11°C/hour) across the range
- Temperature shock: 18°F (10°C) over two minutes
- Altitude: -500 to 30,000 feet (-152.4 to 9144 meters)

Receiving the Library

When receiving the library from the shipper, receive the unit as close to the installation location as possible.

Inspect the shipping pallet and carton for damage that may have occurred during shipment. Report any damage to the shipper immediately.

Unpacking the Library

The unpacking instructions vary depending upon whether you received a stand-alone or rack-mount library. If you received a stand-alone library, you should have only one shipping carton. Follow the instructions in “Uncrating the Library” on page 8 to unpack the library.

If you received the rack-mount library, you should have two shipping cartons. The large carton contains the library, and the smaller carton contains the rack-mount kit.

To unpack and install the rack-mount library, you must:

- Uncrate the rack-mount kit and verify its contents (see “Uncrating the Rack-Mount Kit”)
- Install the rack-mount kit in the rack (see “Installing the Rack-Mount Kit”)
- Uncrate the library and place it in the rack (see “Uncrating the Library” on page 8)

Uncrating the Rack-Mount Kit

Cut the packing tape at the top of the shipping carton and unpack the rack-mount kit. Before installing the rack-mount kit in the rack, compare the contents of the carton with the packing list inside the shipping carton.

Installing the Rack-Mount Kit

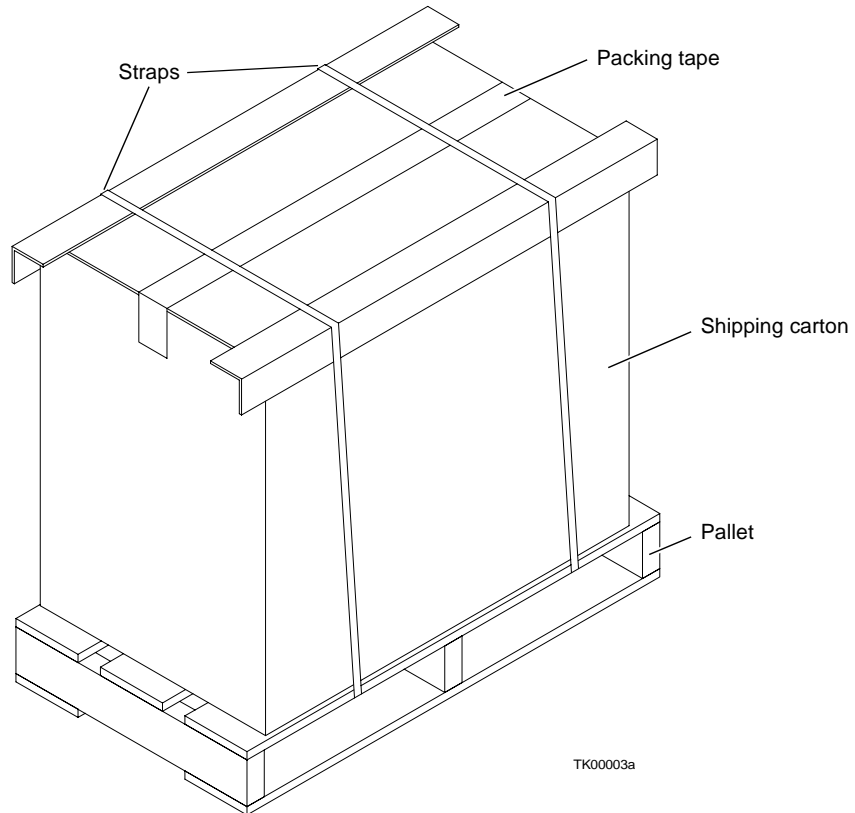
Install the rack-mount kit in the rack, referring to drawing provided in the shipping carton.

Uncrating the Library

To uncrate a PowerStor L500 library:

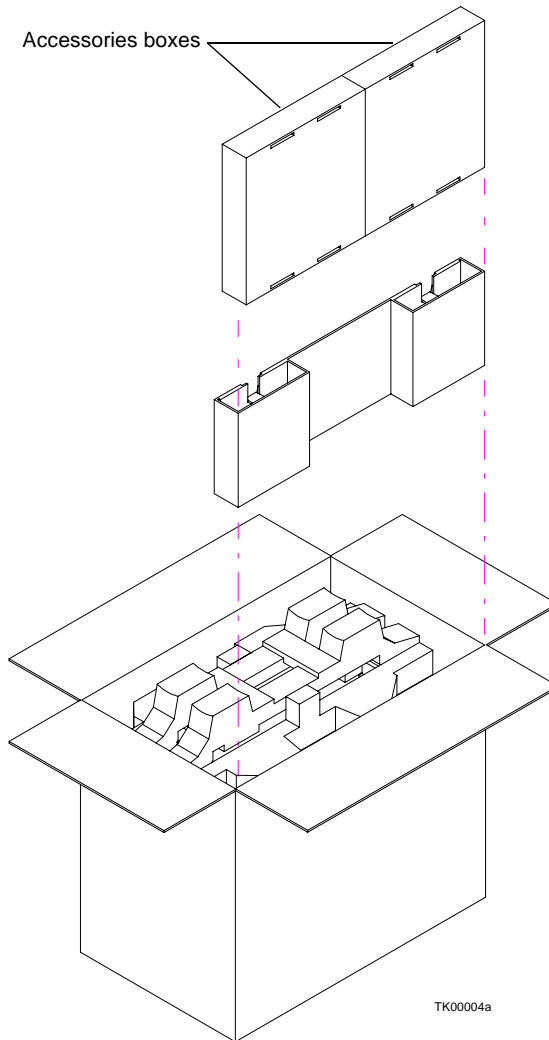
Step	Action
1	Cut the straps that secure the shipping carton to the pallet (see figure 4).
2	Lift the carton off of the pallet.
Note: The library weighs 76 lbs (35 kg). Two people should perform any procedure that involves lifting or moving the library.	
3	Open the top of the shipping carton by carefully cutting the packing tape.

Figure 4 Removing the Shipping Carton from the Pallet



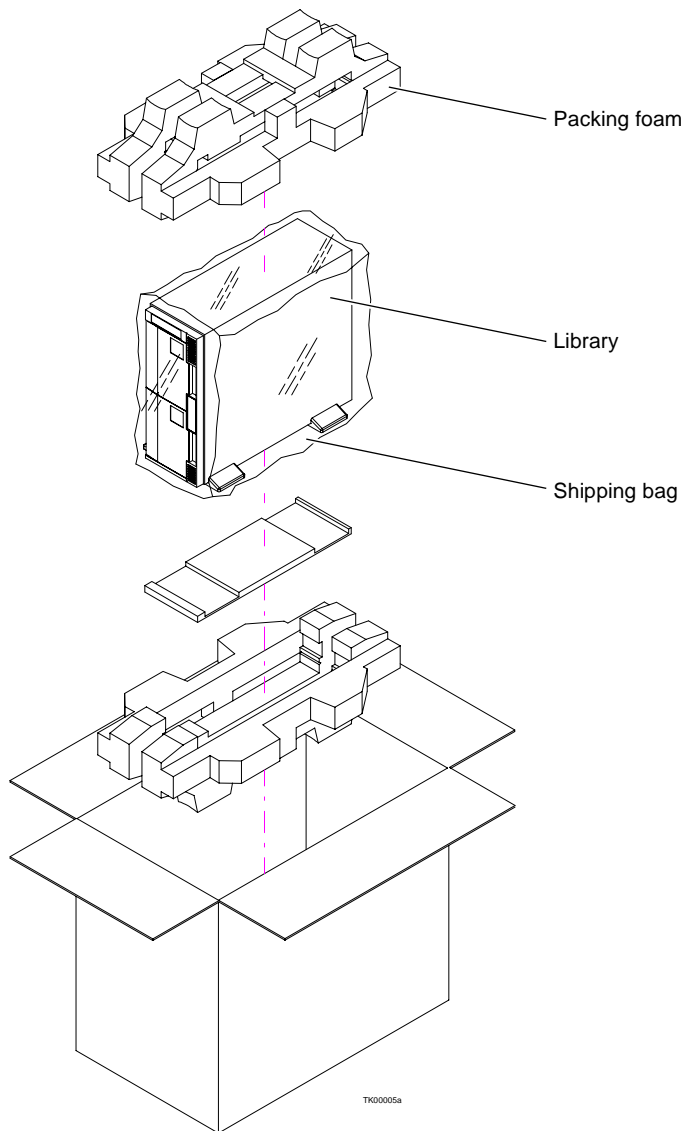
Step	Action
4	Remove the two accessories boxes from the carton (see figure 5). One of these boxes is empty. The other box contains the accessories kit.

Figure 5 Removing the Accessories Boxes



Step	Action
5	Remove the packing foam from the top of the library (see figure 6).
6	With two people lifting the library, remove it from the shipping carton.
7	Remove the library from the shipping bag.
8	Place the library in the installation location. If it is a rack-mount library, place it in the rack.

Figure 6 Removing the Library from the Shipping Carton



The library is now unpacked. Refer to the *PowerStor L500 Library User's Guide* for information about connecting the library cables and operating the library.

Caution: Do not attempt to open the front doors of the library when the library is powered off. These doors can be opened only when the unit is powered on.
